



ECO FUTURE

Premium Series

ECO MODULE MONOCRYSTALLINE

ECO-240C60	240Wp
ECO-245C60	245Wp
ECO-250C60	250Wp
ECO-255C60	255Wp
ECO-260C60	260Wp



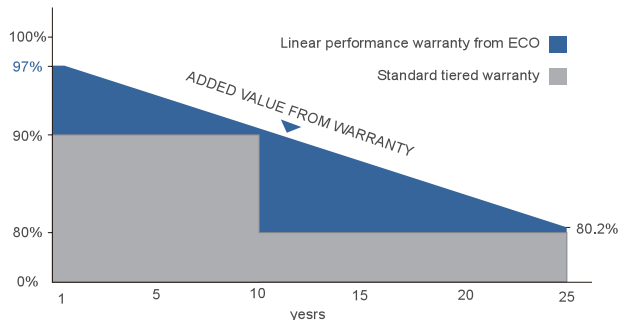
ECO-***CB60 All black Series as optional

Features

- Cost-effective standard solar modules for skylight, roofing and facades applications
- 0 to +3W positive tolerance for mainstream products
- Withstand high wind loads and snow loads (5400Pa)
- Anti-reflective highly transparent, low iron tempered glass
- Whole black and frame features aesthetic appearance
- Transmission rate 3.18%

Benefits

- 25-year linear performance warranty;
- 10-year warranty on materials and workmanship
- Product liability insurance
- 48 hour-response service
- Enhanced design for easy installation and long-term reliability



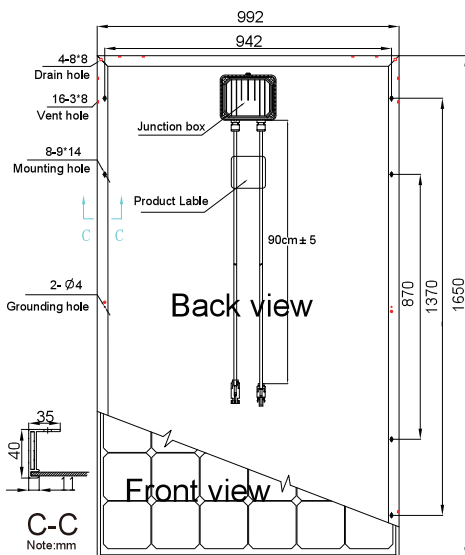
Suntellite UK

Unit 77A Ashby Road, Markfield, Leicestershire, LE67 9AU.
www.suntellitesolar.co.uk

Typical electrical characteristics

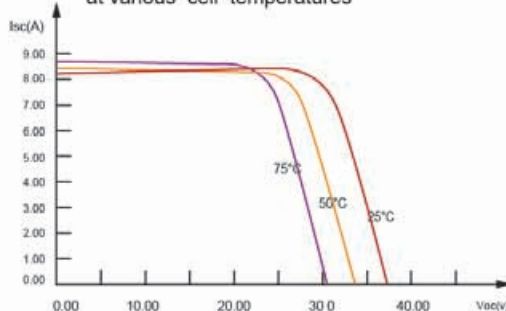
Characteristics	ECO-240C60	ECO-245C60	ECO-250C60	ECO-255C60	ECO-260C60
Max.Power(Pmax)	240Wp	245Wp	250Wp	255Wp	260Wp
Optimum Operating Voltage(Vm)	30.34V	30.84V	31.17V	31.17V	31.20V
Optimum Operating Current(I _m)	7.92A	7.95A	8.03A	8.19A	8.34A
Open-circuit Voltage(Voc)	37.76V	37.80V	37.85V	37.97V	38.82V
Short-circuit Current(I _{sc})	8.35A	8.38A	8.40A	8.58A	8.71A
Cell Efficiency	16.7%	17.1%	17.4%	17.8%	18.10%
Module Efficiency	14.7%	15.0%	15.3%	15.6%	15.9%

Note: the specifications are obtained under the Standard Test Condition(STC):1000 W/m² solar irradiance, AM1.5, Cell Temperature 25 °C .



Solar Cell	Mono-crystalline 156*156mm
Output Tolerance(Pmax)	0 ~ +3%
Number of cells	60 cells in series
Module Dimension	1650*992*40mm
Weight	19.5kg
Max.System Voltage	1000V(TUV)/600V(UL)
Max.Series Fuse Rating	15A
Output Cable	PV 4mm ²
Cable Length	90cm±5
Number of bypass diodes	6
Temperature cycling range	(-40 ~ 85 °C)
NOCT	47 °C ±2 °C
Temperature coefficients of I_{sc}	+(0.053±0.01)%/K
Temperature coefficients of Voc	-(0.35±0.001)%/K
Temperature coefficients of Pmax	-(0.40±0.05)%/K
Load Capacity	285 pcs/20'GP
	756 pcs/40'HQ

I-V Curves of PV module ECO-250C60 at various cell temperatures



I-V Curves of PV module ECO-250C60 at various solar irradiance

